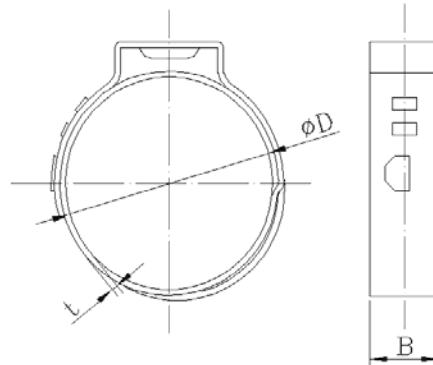


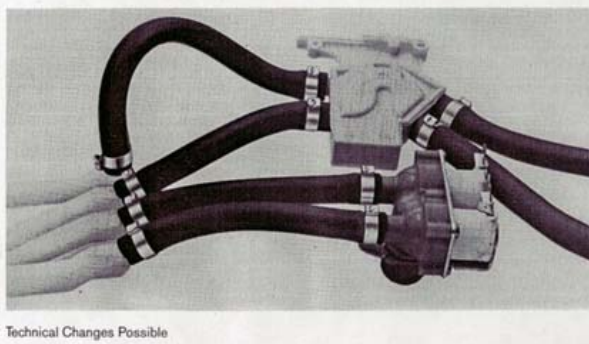
## Single Ear (505R)



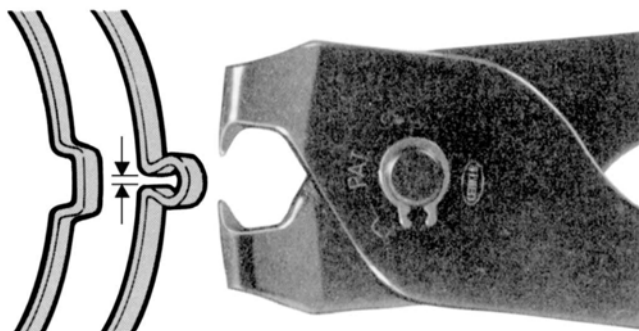
Band width 5 mm, thickness 0.5 mm (505R)

SAE Sizes	Part No.	CLAMPING RANGE				pack pcs/bag	kg per 100 pcs
		inch		mm			
		Min	Max	Min	Max		
006.5-505R	201 505R065	0.21	0.26	5.3	6.5		
007.0-505R	201 505R070	0.23	0.28	5.8	7.0		
008.0-505R	201 505R080	0.27	0.31	6.8	8.0		
008.7-505R	201 505R087	0.28	0.34	7.0	8.7		
009.0-505R	201 505R090	0.29	0.35	7.3	9.0		
009.5-505R	201 505R095	0.31	0.37	7.8	9.5		
010.0-505R	201 505R100	0.33	0.39	8.3	10.0		
010.5-505R	201 505R105	0.35	0.41	8.8	10.5		
010.9-505R	201 505R109	0.36	0.43	9.2	10.9		
011.3-505R	201 505R113	0.38	0.44	9.6	11.3		
011.8-505R	201 505R118	0.40	0.46	10.1	11.8		

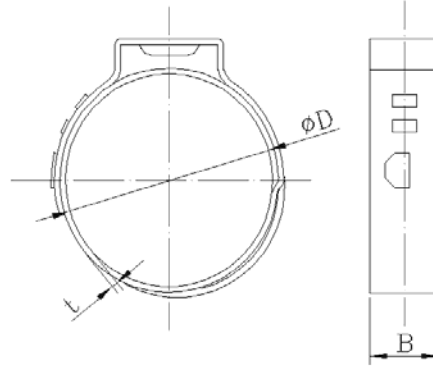
Want to know more specification ,please contact hozu auto parts CO.,LTD



Technical Changes Possible



## Single Ear (706R)

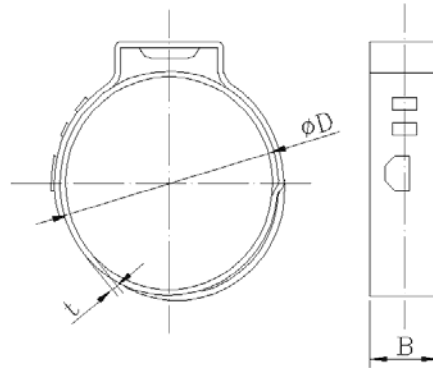


Band width 7 mm, thickness 0.6 mm (706R)

SAE Sizes	Part No.	CLAMPING RANGE				pack pcs/bag	kg per 100 pcs
		inch		mm			
		Min	Max	Min	Max		
011.9-706R	201 706R119	0.37	0.47	9.4	11.9		
012.3-706R	201 706R123	0.39	0.48	9.8	12.3		
012.8-706R	201 706R128	0.41	0.50	10.3	12.8		
013.3-706R	201 706R133	0.43	0.52	10.8	13.3		
013.8-706R	201 706R138	0.44	0.54	11.3	13.8		
014.0-706R	201 706R140	0.45	0.55	11.5	14.0		
014.2-706R	201 706R142	0.46	0.56	11.7	14.2		
014.5-706R	201 706R145	0.47	0.57	12.0	14.5		
014.8-706R	201 706R148	0.48	0.58	12.3	14.8		
015.3-706R	201 706R153	0.50	0.60	12.8	15.3		
015.7-706R	201 706R157	0.52	0.62	13.2	15.7		
016.0-706R	201 706R160	0.53	0.63	13.5	16.0		
016.2-706R	201 706R162	0.54	0.64	13.7	16.2		
016.6-706R	201 706R166	0.56	0.65	14.1	16.6		
016.8-706R	201 706R168	0.56	0.66	14.3	16.8		
017.0-706R	201 706R170	0.57	0.67	14.5	17.0		
017.5-706R	201 706R175	0.59	0.69	15.0	17.5		
017.8-706R	201 706R178	0.57	0.70	14.6	17.8		
018.0-706R	201 706R180	0.58	0.71	14.8	18.0		
018.5-706R	201 706R185	0.60	0.73	15.3	18.5		
019.2-706R	201 706R192	0.63	0.76	16.0	19.2		
019.8-706R	201 706R198	0.65	0.78	16.6	19.8		
021.0-706R	201 706R210	0.70	0.83	17.8	21.0		
022.6-706R	201 706R226	0.76	0.89	19.4	22.6		
023.5-706R	201 706R235	0.80	0.93	20.3	23.5		
024.1-706R	201 706R241	0.82	0.95	20.9	24.1		
025.6-706R	201 706R256	0.88	1.01	22.4	25.6		
027.1-706R	201 706R271	0.94	1.07	23.9	27.1		
028.6-706R	201 706R286	1.00	1.13	25.4	28.6		
030.1-706R	201 706R301	1.06	1.19	26.9	30.1		

Want to know more specification ,please contact hozu auto parts CO.,LTD

## Single Ear (906R)

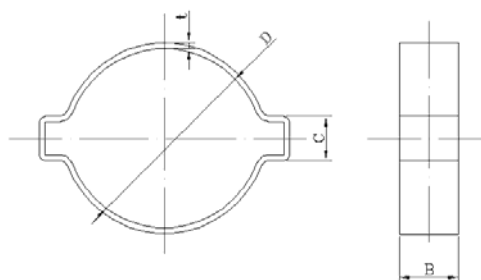


Band width 9 mm, thickness 0.6 mm (906R)

SAE Sizes	Part No.	CLAMPING RANGE				pack pcs/bag	kg per 100 pcs
		inch		mm			
		Min	Max	Min	Max		
021.0-906R	201 906R210	0.70	0.83	17.8	21.0		
022.6-906R	201 906R226	0.76	0.89	19.4	22.6		
023.5-906R	201 906R235	0.80	0.93	20.3	23.5		
024.1-906R	201 906R241	0.82	0.95	20.9	24.1		
025.6-906R	201 906R256	0.88	1.01	22.4	25.6		
027.1-906R	201 906R271	0.94	1.07	23.9	27.1		
028.6-906R	201 906R286	1.00	1.13	25.4	28.6		
030.1-906R	201 906R301	1.06	1.19	26.9	30.1		
030.8-906R	201 906R308	1.09	1.21	27.6	30.8		
031.6-906R	201 906R316	1.12	1.24	28.4	31.6		
033.1-906R	201 906R331	1.18	1.30	29.9	33.1		
034.6-906R	201 906R346	1.24	1.36	31.4	34.6		
036.1-906R	201 906R361	1.30	1.42	32.9	36.1		
037.6-906R	201 906R376	1.35	1.48	34.4	37.6		
038.1-906R	201 906R381	1.37	1.50	34.9	38.1		
039.6-906R	201 906R396	1.43	1.56	36.4	39.6		
041.0-906R	201 906R410	1.49	1.61	37.8	41.0		
042.5-906R	201 906R425	1.55	1.67	39.3	42.5		
044.0-906R	201 906R440	1.61	1.73	40.8	44.0		
045.5-906R	201 906R455	1.67	1.79	42.3	45.5		
047.0-906R	201 906R470	1.72	1.85	43.8	47.0		
048.5-906R	201 906R485	1.78	1.91	45.3	48.5		
050.0-906R	201 906R500	1.84	1.97	46.8	50.0		
051.5-906R	201 906R515	1.90	2.03	48.3	51.5		
053.0-906R	201 906R530	1.96	2.09	49.8	53.0		
054.5-906R	201 906R545	2.02	2.15	51.3	54.5		
056.0-906R	201 906R560	2.08	2.20	52.8	56.0		
057.5-906R	201 906R575	2.14	2.26	54.3	57.5		
059.0-906R	201 906R590	2.20	2.32	55.8	59.0		
060.5-906R	201 906R605	2.26	2.38	57.3	60.5		

Want to know more specification ,please contact hozu auto parts CO.,LTD

## 2-Ear Clamps

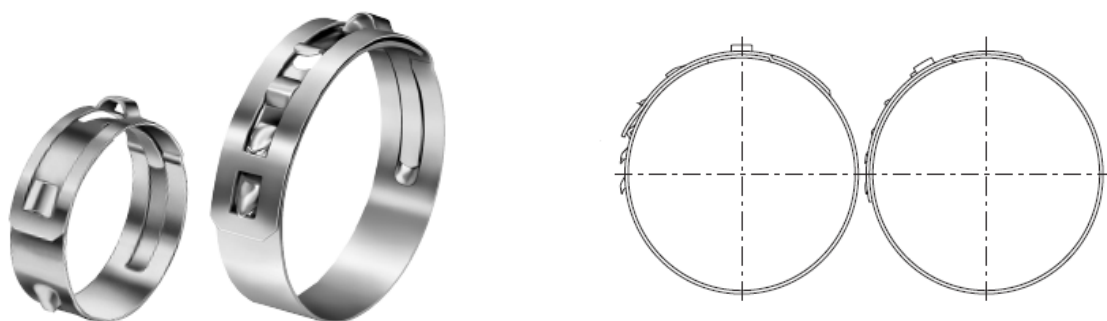


SAE Sizes	Part No.	CLAMPING RANGE				B (mm)	t (mm)	C (mm)	pack pcs/bag	kg per 100 pcs
		inch		mm						
		Min	Max	Min	Max					
70	202 070	0.20	0.28	5.0	7.0	6.0	0.5	3.0		
90	202 090	0.28	0.35	7.0	9.0	7.0	0.8	3.2		
110	202 110	0.31	0.43	8.0	11.0	7.0	0.8	4.5		
119	202 119	0.35	0.43	9.0	11.0	7.0	0.8	3.5		
130	202 130	0.43	0.51	11.0	13.0	7.0	0.8	3.5		
150	202 150	0.51	0.59	13.0	15.0	8.0	0.8	4.0		
170	202 170	0.54	0.67	13.8	17.0	8.0	0.8	5.0		
180	202 180	0.59	0.71	15.0	18.0	8.5	0.8	5.0		
200	202 200	0.67	0.79	17.0	20.0	9.0	1.0	6.0		
220	202 220	0.75	0.87	19.0	22.0	9.0	1.0	6.5		
230	202 230	0.79	0.91	20.0	23.0	10.0	1.0	6.5		
250	202 250	0.87	0.98	22.0	25.0	10.0	1.0	6.5		
270	202 270	0.91	1.06	23.0	27.0	10.0	1.0	7.0		
280	202 280	0.98	1.10	25.0	28.0	10.0	1.0	6.5		
310	202 310	1.06	1.22	27.0	31.0	10.0	1.0	7.5		
318	202 318	1.10	1.22	28.0	31.0	10.0	1.0	6.5		
340	202 340	1.22	1.34	31.0	34.0	10.0	1.0	7.5		



Want to know more specification ,please contact hozu auto parts CO,.LTD

## Earless clamp



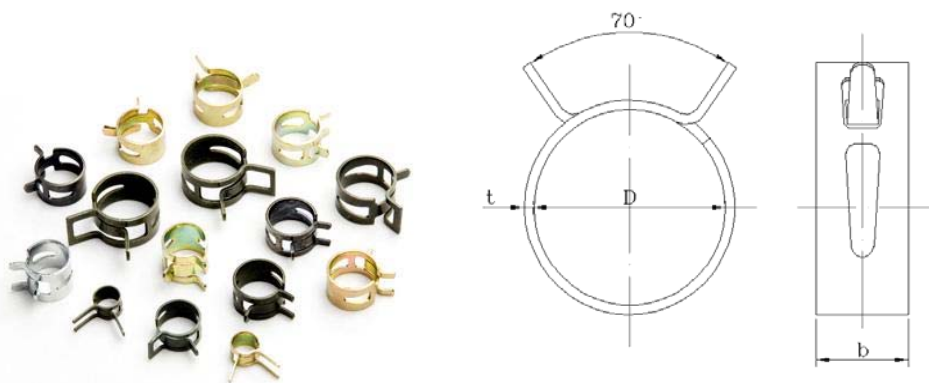
Band width 7 mm, thickness 0.6 mm (706R)

SAE Sizes	Part No.	CLAMPING RANGE				pack pcs/bag	kg per 100 pcs
		inch		mm			
		Min	Max	Min	Max		
019.5-706R	203 706R0195	0.94	0.77	23.9	19.5		
020.0-706R	203 706R0200	0.96	0.79	24.4	20.0		
020.5-706R	203 706R0205	0.98	0.81	24.9	20.5		
021.0-706R	203 706R0210	1.00	0.83	25.4	21.0		
109.0-706R	203 706R1090	4.46	4.29	113.4	109.0		
109.5-706R	203 706R1095	4.48	4.31	113.9	109.5		
110.0-706R	203 706R1100	4.50	4.33	114.4	110.0		



Want to know more specification ,please contact hozu auto parts CO.,LTD

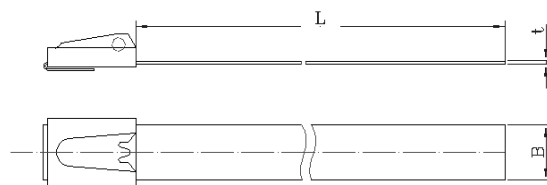
## Rotor clamp



SAE Sizes	Part No.	b (mm)	t (mm)	CLAMPING RANGE				pack pcs/bag	kg per 100 pcs
				inch		mm			
				Min	Max	Min	Max		
7.0	204 000070	6.0	0.6	0.30	0.33	7.6	8.3		
8.0	204 000080			0.34	0.37	8.6	9.5		
8.5	204 000085			0.36	0.40	9.2	10.2		
9.0	204 000090			0.38	0.42	9.7	10.7		
9.5	204 000095			0.41	0.44	10.3	11.3		
10.0	204 000100			0.43	0.47	10.8	11.9		
10.5	204 000105	8.0	0.8	0.45	0.49	11.4	12.5		
11.0	204 000110			0.47	0.52	11.9	13.1		
11.5	204 000115			0.49	0.54	12.4	13.7		
12.0	204 000120			0.51	0.56	13.0	14.3		
12.5	204 000125			0.53	0.59	13.5	14.9		
13.0	204 000130			0.55	0.61	14.0	15.5		
13.5	204 000135	10.0	1.0	0.57	0.63	14.6	16.1		
14.0	204 000140			0.59	0.66	15.1	16.7		
14.5	204 000145			0.62	0.68	15.7	17.3		
15.0	204 000150			0.64	0.70	16.2	17.9		
15.5	204 000155			0.66	0.72	16.7	18.4		
16.0	204 000160			0.68	0.75	17.3	19.1		
16.5	204 000165	12.0	1.2	0.70	0.78	17.9	19.7		
17.0	204 000170			0.72	0.80	18.4	20.2		
17.5	204 000175			0.74	0.82	18.9	20.9		
18.0	204 000180			0.76	0.84	19.4	21.4		
18.5	204 000185			0.79	0.87	20.0	22.1		
19.0	204 000190			0.81	0.89	20.5	22.6		
19.5	204 000195	1.0	1.0	0.83	0.92	21.1	23.3		
20.0	204 000200			0.85	0.94	21.6	23.8		
20.5	204 000205			0.87	0.96	22.2	24.4		
21.0	204 000210			0.89	0.98	22.7	25.0		
23.0	204 000230			0.98	1.08	24.8	27.4		
24.0	204 000240			1.02	1.12	25.9	28.5		
25.0	204 000250	1.06	1.17	27.0	29.8				

Want to know more specification ,please contact hozu auto parts CO.,LTD

## Stainless steel Cable ties



SAE Sizes	Part No.	B(mm)	t(mm)	L(mm)	pack pcs/bag	kg per 100 pcs
150-525	205 150-525	5.0	0.25	150		
200-525	205 200-525	5.0	0.25	200		
250-525	205 250-525	5.0	0.25	250		
300-525	205 300-525	5.0	0.25	300		
350-525	205 350-525	5.0	0.25	350		
400-525	205 400-525	5.0	0.25	400		
450-525	205 450-525	5.0	0.25	450		
500-525	205 500-525	5.0	0.25	500		
200-825	205 200-825	8.0	0.25	200		
250-825	205 250-825	8.0	0.25	250		
300-825	205 300-825	8.0	0.25	300		
350-825	205 350-825	8.0	0.25	350		
400-825	205 400-825	8.0	0.25	400		
450-825	205 450-825	8.0	0.25	450		
500-825	205 500-825	8.0	0.25	500		

We can supply you with the below products



Want to know more specification ,please contact hozu auto parts CO,.LTD